

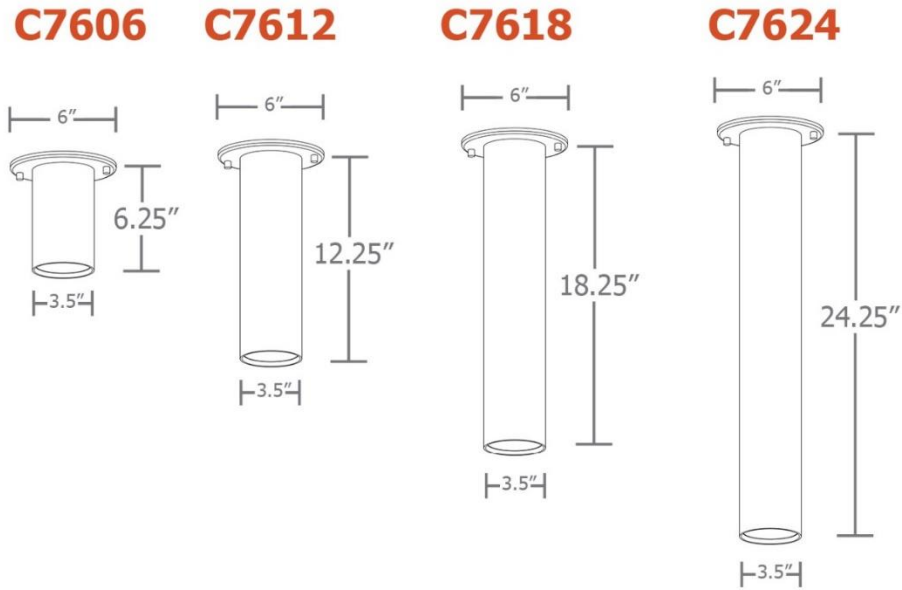


ceiling mount  
**na.row™ 5-slider**

your lighting rep has recommended  
the **ceiling mount na.row™**  
cylinder downlight for your project  
Let's take a quick look:



## sizes and lumens



- C7606 (06") / 395 – 2780 lm
- C7612 (12") / 395 – 2780 lm
- C7618 (18") / 395 – 2780 lm
- C7624 (24") / 395 – 2780 lm



# construction

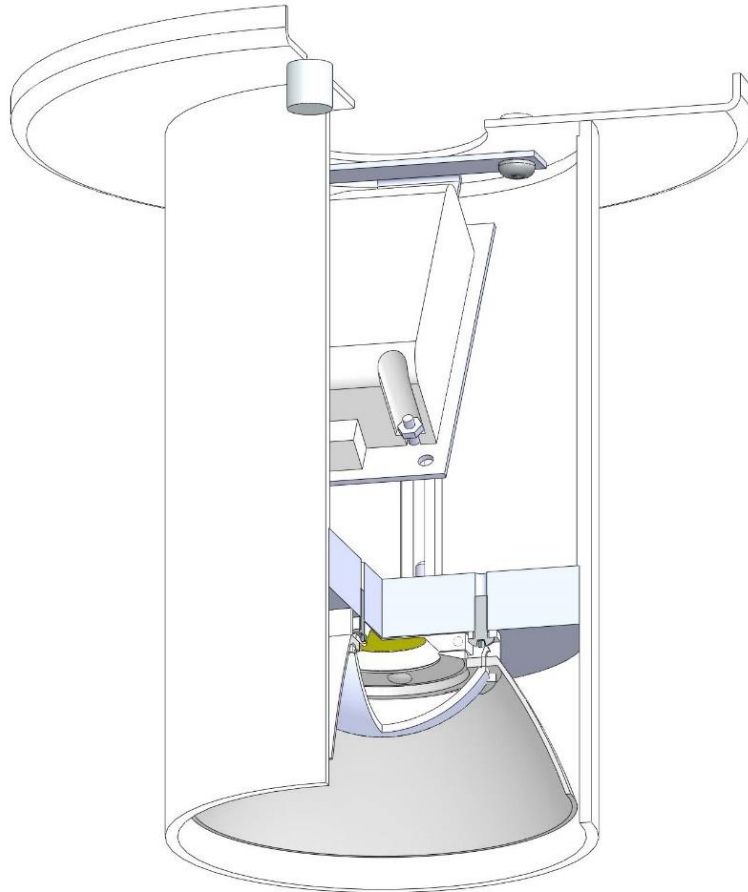
integral, constant-current driver,  
field maintainable, universal input  
(120-277v), 0-10v controllable to 5%  
dimming.

COB LED in 2700K,  
3000K, 3500K, 4000K  
**90+ CRI** standard

complementary pendant  
mount version available

ceiling mount

na.row™ 5-slider



6" dia. canopy flange mounts  
directly to 4" octagon j-box

\*when specifying (H3) 2780  
lumen package for 6" length, a  
"deep" j-box is required

3.5" dia smooth extruded  
aluminum outer housing

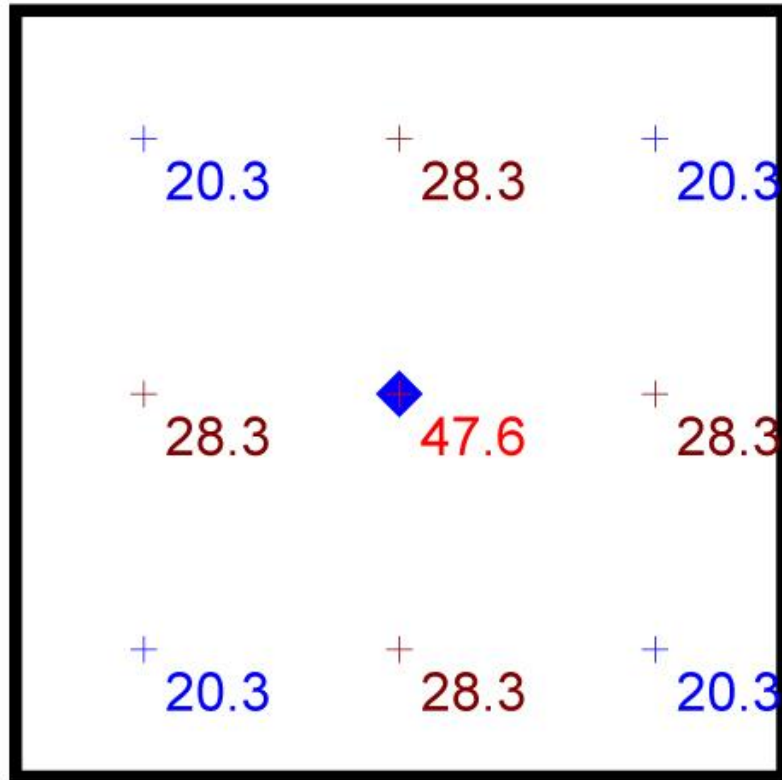
15 standard powder  
coat painted finishes  
+ custom RAL colors

field changeable downlight optics:  
20° (spot), 30° (med), 50° (wide),  
90° (extra wide)



# performance

Statistics						
Description	Symbol	Avg	Max	Min	Max/Min	Avg/Min
na.row.ceiling	+	26.9 fc	47.6 fc	20.3 fc	2.3:1	1.3:1



**Plan View**  
Scale - 1" = 2ft

- 6' x 6' x 9'H space
- 80/50/20 reflectances
- bottom of fixture at 8' aff
- FC readings at 2.5' aff
- layout conducted using 12" length unit with 90 CRI, wide dist. H1 1390 lumen package



ceiling mount

na.row™ 5-slider





[www.impactltg.com](http://www.impactltg.com)

- spec sheet and color chart
- photometric files and BIM models
- built to order in Saint Louis, MO, USA
- 4-week lead time

ceiling mount  
na.row™ 5-slider

